



	.....	1
	.....	1
	.....	
1-1	.....	
1-1	.....	
1-	.....	
1-	.....	
1-	.....	
1-	.....	11
1-	.....	1
1-	.....	1
1-	.....	1
1-	.....	1
1-10	.....	1
1-11	.....	
1-1	.....	
1-1	.....	
1-1	.....	
1-1	.....	
1-1	.....	0
1-1	.....	
1-1	.....	
	.....	
	.....	
-1	.....	
-1	.....	
-	.....	0
-	.....	1
-	.....	
-	.....	
-	.....	
-	.....	
-	.....	1
-10	.....	
-11	.....	
-1	.....	
-1	.....	
-1	.....	1
-1	.....	
-1	.....	
-1	.....	
-1	.....	
	.....	0



[ 2014] 55

- 1.
- 2.
- 3.
- 4.

--

--

		1-1	1	1-1	1-1
		-1	1	-1	-1
		-1	1	-1	-1

1

I/O

C

/

Kei I C

2

1

/ /

Kei I C

MCU

/ /

2

6S ( )

/

3

120

4

20		10	0	
				1
				2
		10		3
				4
			5	

10

5

30

1



2

PCB

E

3

1



2

PCB

E

3

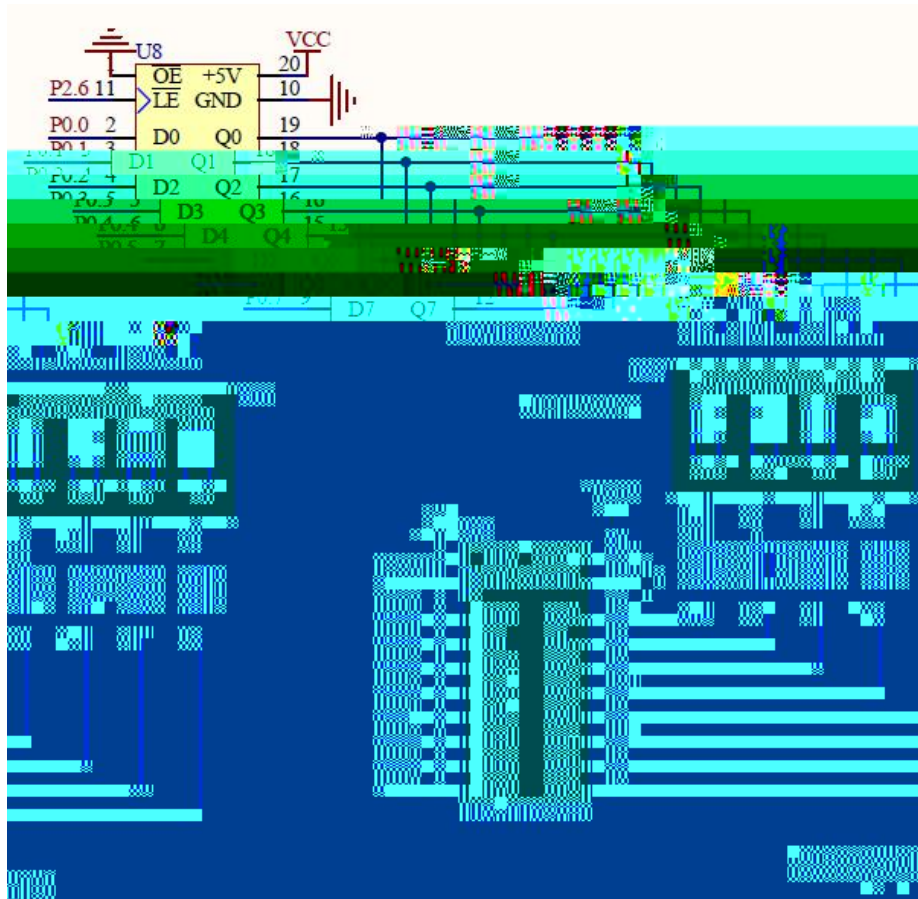








1



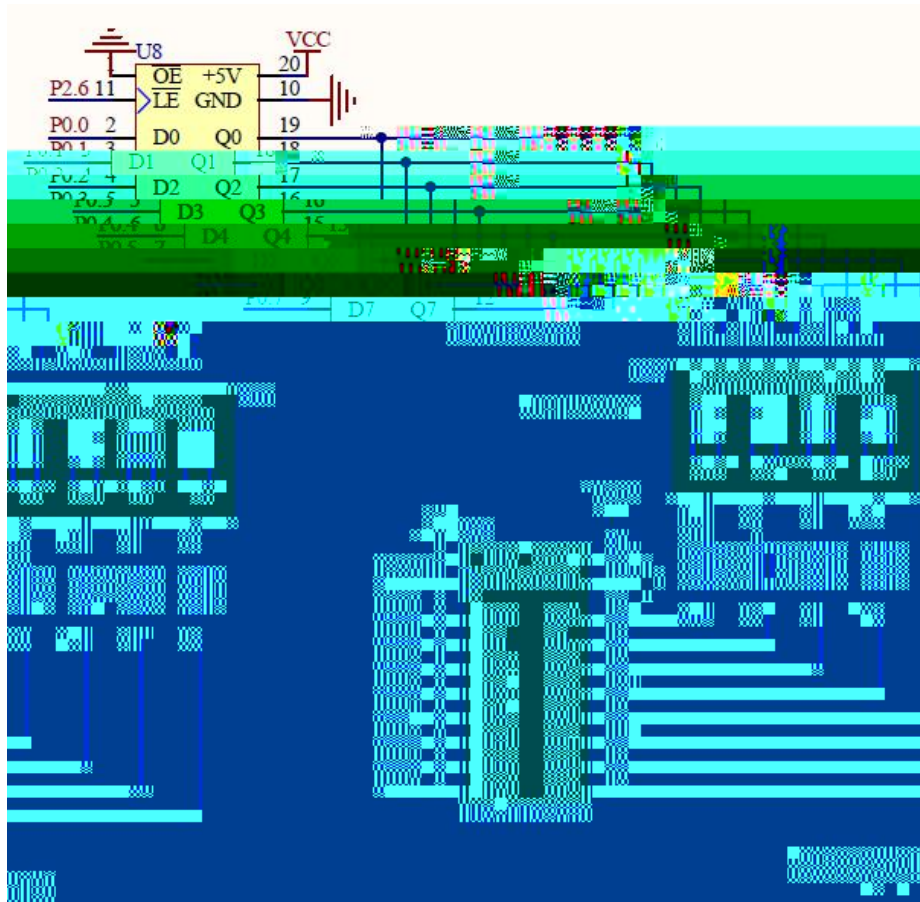
2

PCB  
E

3



1



2

PCB

E

3













1

K1 8



2

PCB  
E

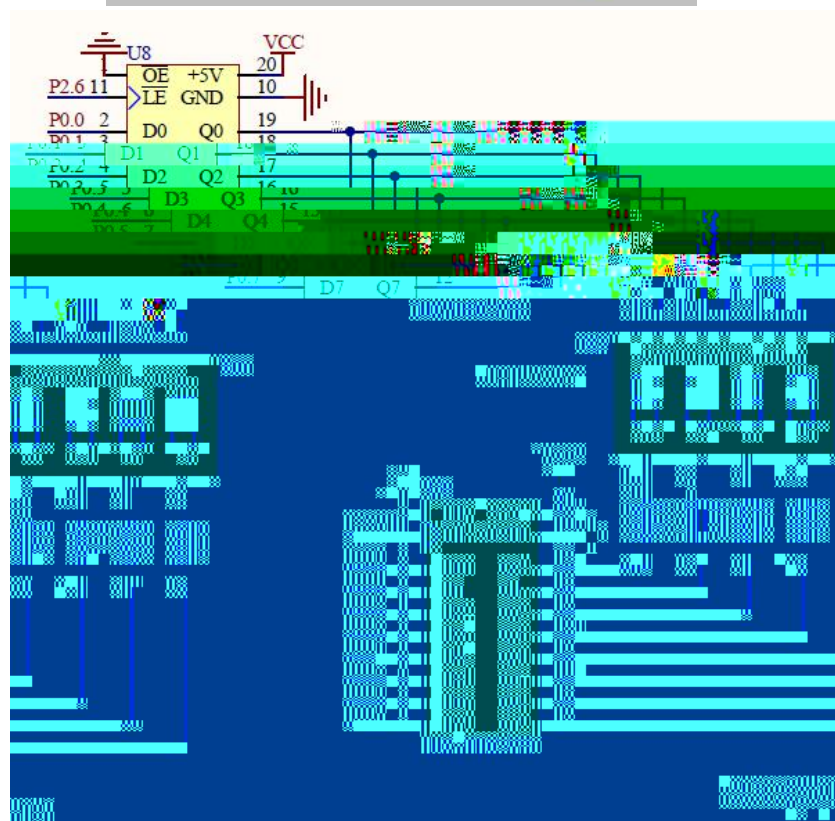
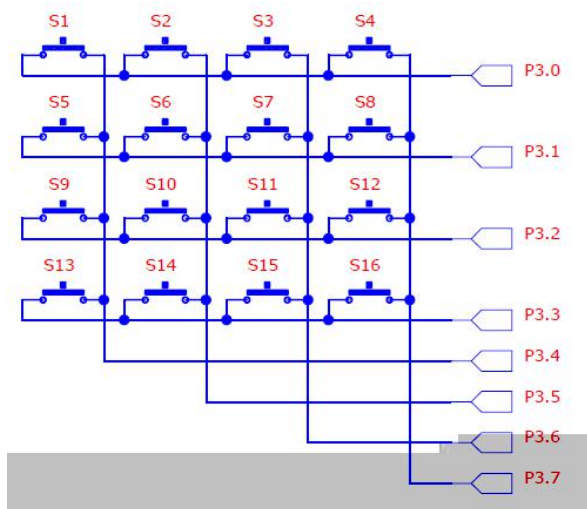
3



1

S1-S16

O-F



2

PCB

E

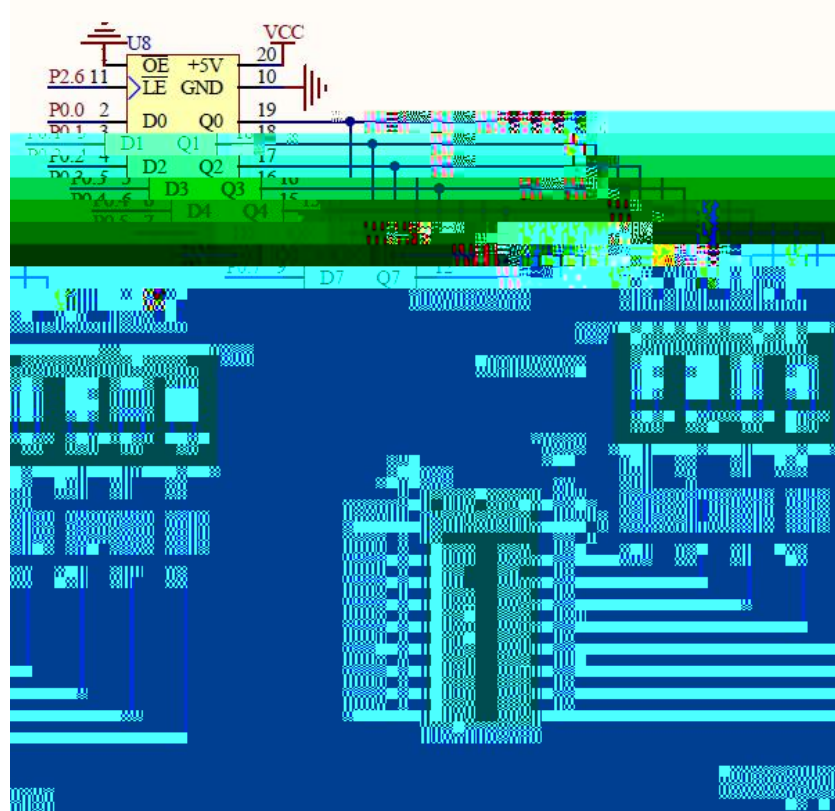
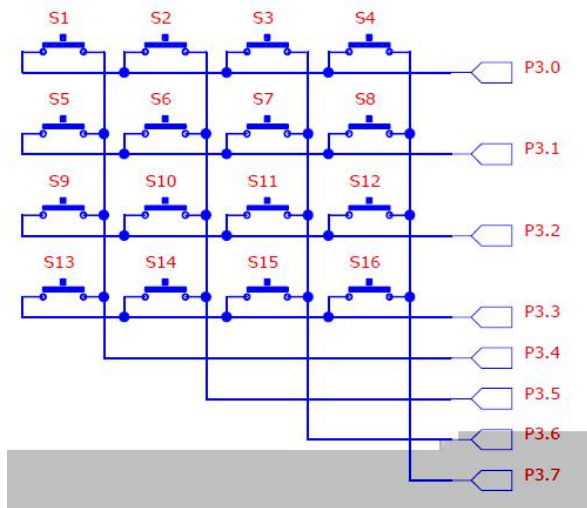
3

1

P3.2

9 0

1





2

PCB

E

3

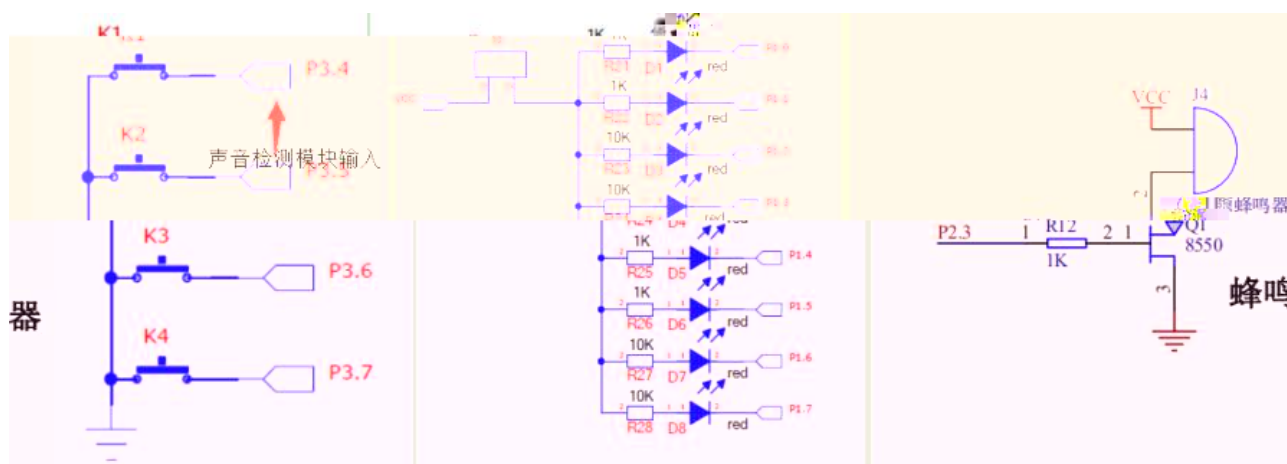
1

P3.4

1

P3.4

D1



1

2

PCB

E

3

1

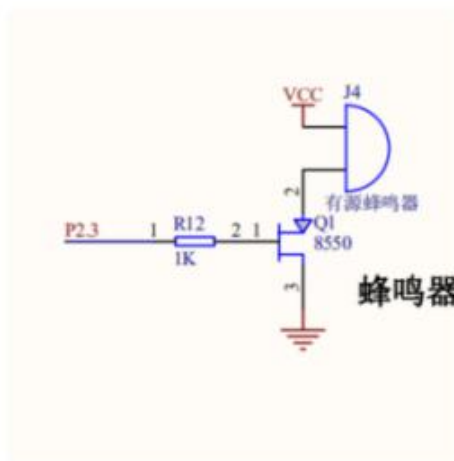
P3.7

1

P3.7



天然气检测装置信号输



1

2

PCB

E

3



1

1

K1

D1

K2

D2



1

2

PCB

E

3

1

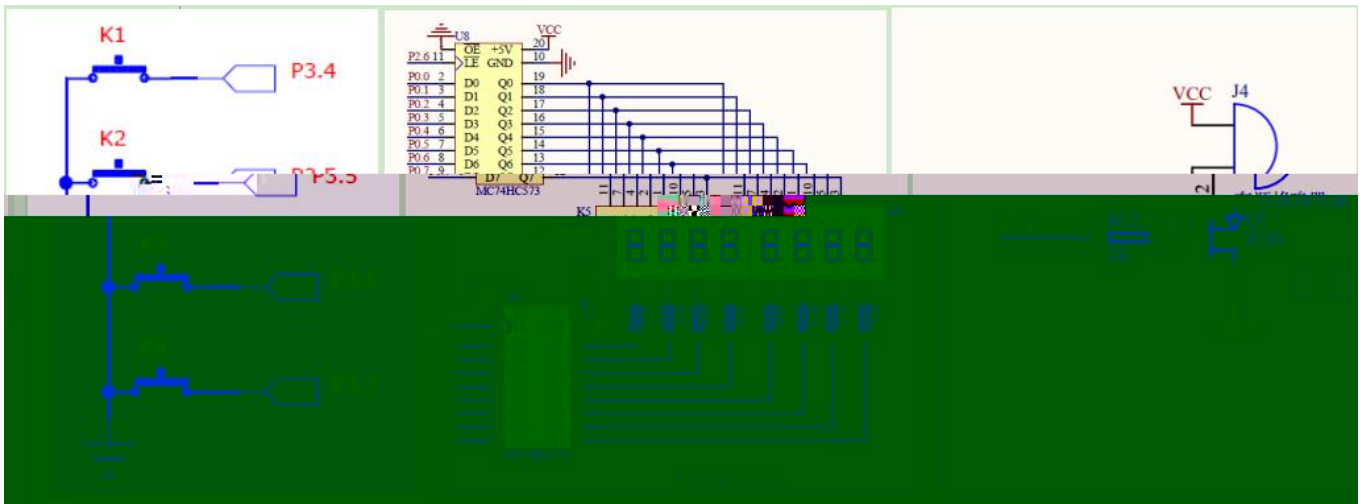
1

K1

K2 K3 K4

K1

" 1"



2

PCB

E

3



1

2



2

PCB

E

3



1

1

P3.6

P3.6



1

2

PCB

E

3

0



1

0.5S 0.5S



2

PCB  
E

3



1

K1

D1-D4

K2

D5-D8



2

PCB

E

3



1

/ /

1

/ /

/ /

( )

/

1 0

20		10			0
			1		
		10	2		
			3		

			4	
			5	
30		10		
		5		
		5		
		10		
50		5		
		5	1 2	PCB
		10		
		15	1 2 3	
		15		

5

18



1



2

3



1



2

3

1



2

3

1



2

3



1



2



3





1

1	VBAT	VDD	64
2	PC13/ANT1	VSS	63
3	PC14/OSC32	PB9/TIM4_CH4/SDIO_D5	62
4	PC15/OSC32	PB8/TIM4_CH3/SDIO_D4	61
5	PD0/OSCIN	PA7/I2C1_SCL/TIM4_CH2	60
6	PD1/OSCOUT	PA6/I2C1_SDA/TIM4_CH1	59
7	NRES*	PB5/I2C1_SMBA/SPI3_MOSI/I2S3_SD	58
8	PC0/ADC10	PB4/JNTRST/SPI3_MISO	57
9	PC1/ADC11	PB3/JTDO/SPI3_SCK/I2S3_CK	56
10	PC2/ADC12	PC2/U5_RX/TIM3_ETR/SDIO_CMD	55
11	PC3/ADC13	PC12/U5_TX/SDIO_CK	54
12	VSSA	PC11/U4_RX/SDIO_D3	53
13	VDDA	PC10/U4_TX/SDIO_D2	52
14	PA0/WKUP/ADC0/TIM2_CH1_ETR/TIM5_CH1/TIM8_ETR	PA15/JTDI/SPI3_NSS/I2S3_WS	51
15	PA1/ADC1/TIM2_CH2/TIM5_CH2	PA14/JTCK/SWCLK	50
16	PA2/U2_TX/ADC2/TIM2_CH3/TIM5_CH3	VDD	49
17	PA3/U2_RX/ADC3/TIM2_CH4/TIM5_CH4		48
18	PA4		47
19	PA5		46
20	PA6		45
21	PA7		44
22	PA8		43
23	PA9		42
24	PA10		41
25	PA11		40
26	PA12		39
27	PA13		38
28	PA14		37
29	PA15		36
30	PA16		35
31	PA17		34
32	PA18		33
33	PA19		32
34	PA20		31
35	PA21		30
36	PA22		29
37	PA23		28
38	PA24		27
39	PA25		26
40	PA26		25
41	PA27		24
42	PA28		23
43	PA29		22
44	PA30		21
45	PA31		20
46	PA32		19
47	PA33		18
48	PA34		17
49	PA35		16
50	PA36		15
51	PA37		14
52	PA38		13
53	PA39		12
54	PA40		11
55	PA41		10
56	PA42		9
57	PA43		8
58	PA44		7
59	PA45		6
60	PA46		5
61	PA47		4
62	PA48		3
63	PA49		2
64	PA50		1

2

3



1



2

3

1

1	VBAT	VDD	64
2	PC13/ANT1	VSS	63
3	PC14/OSC32	PB9/TIM4_CH4/SDIO_D5	62
4	PC15/OSC32	PB8/TIM4_CH3/SDIO_D4	61
5	PD0/OSCIN		
6	PD1/OSCOUT		
7	NRS		
8	PC0 ADC10		
9	PC1 ADC11		
10	PC2 ADC12		
11	PC3 ADC13		
12	VSSA		
13	VDDA		
14	PA0 WKUP ADC0-TIM2_CH1 ETR-TIM5_CH1-TIM8_ETR		
15	PA1 ADC1-TIM2_CH2-TIM5_CH2		
16	PA2 J2 TX-ADC2-TIM2_CH3-TIM5_CH3		
17	PA3 J2 RX-ADC3-TIM2_CH4-TIM5_CH4		
18			
19			
20			
21			
22			
23			
24			
25			
26			
27			
28			
29			
30			
31			
32			
33			
34			
35			
36			
37			
38			
39			
40			
41			
42			
43			
44			
45			
46			
47			
48			
49			
50			
51			
52			
53			
54			
55			
56			
57			
58			
59			
60			
61			
62			
63			
64			

2

3





3

-





3

-

1

2

5



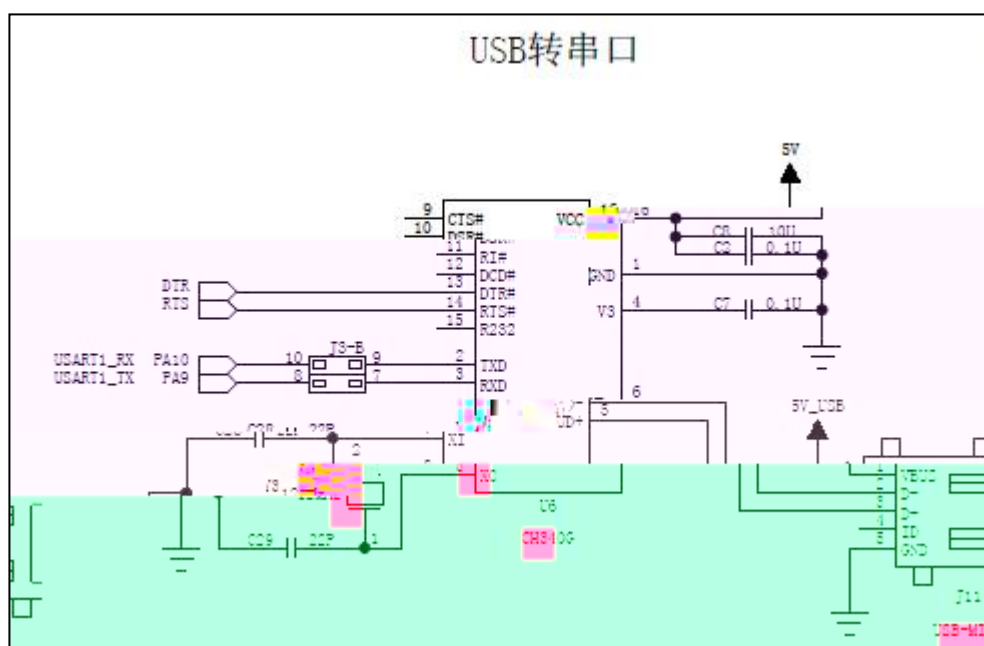


2

3

-

1

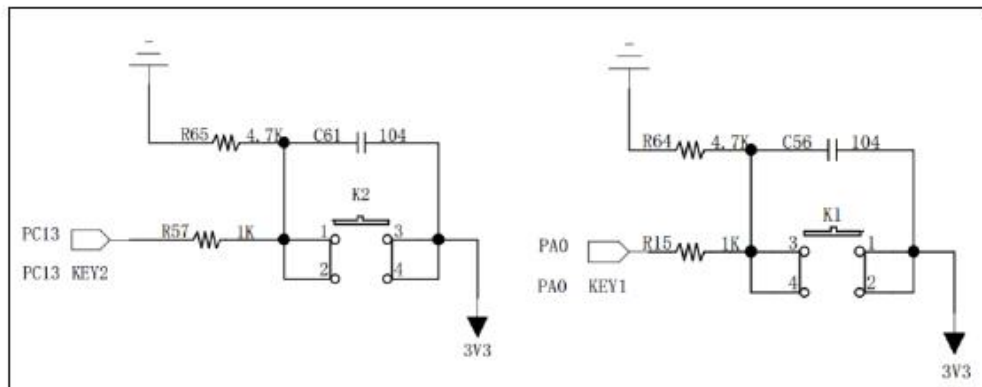
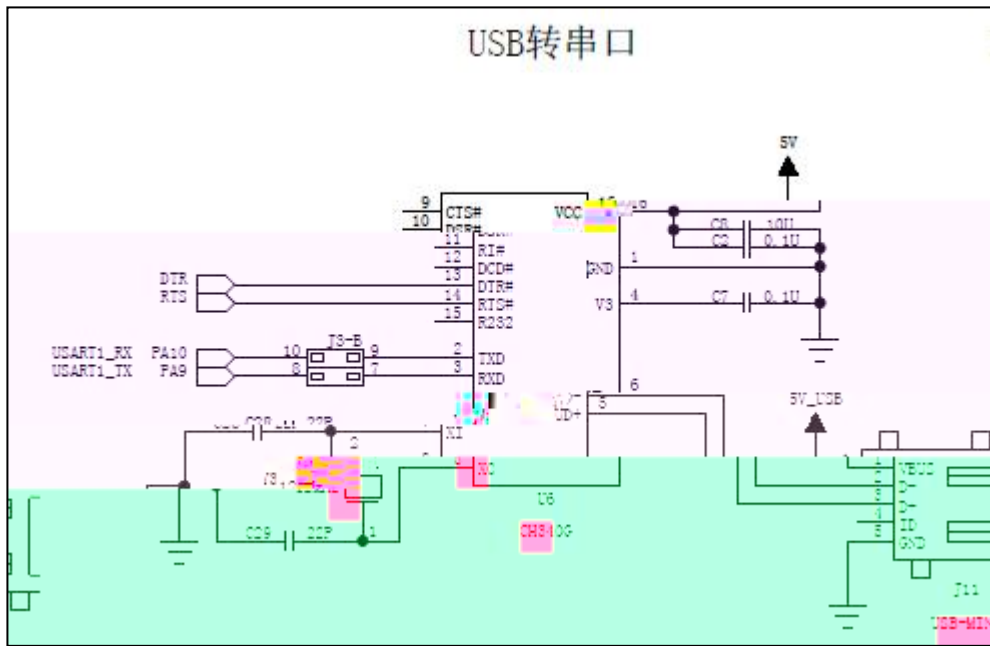


2

3

-

1



2



3

-



2

3

-

1



2

3



2

3

-



3

-



1

1

/ /

.0

/ /

( )

/

1 0

20		10			0	
			6			
			7			
		10	8			
			9			

			10	
30				
		10		
		10		
50				
		10		

5

18

1  
2

20sp

RGB #FF0000



3 :

2  
1



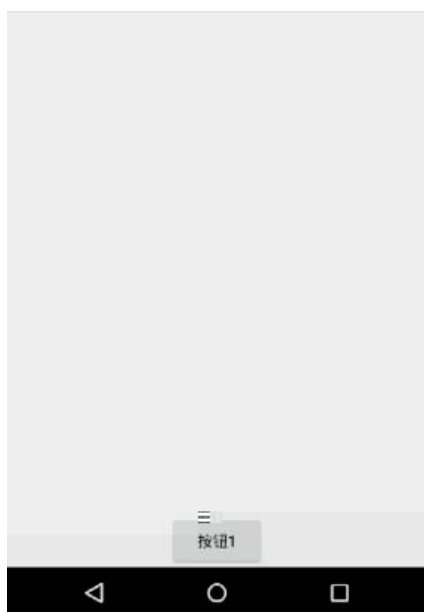
3 :

1

2

1

2



3

:

TextView

2

1



3

1

2



3

2

1

2



3



1

1 1 1 1

2

1

2

1 1 1 1



3

1

2

1



3

1

2

1

2



3

1

2

1

2

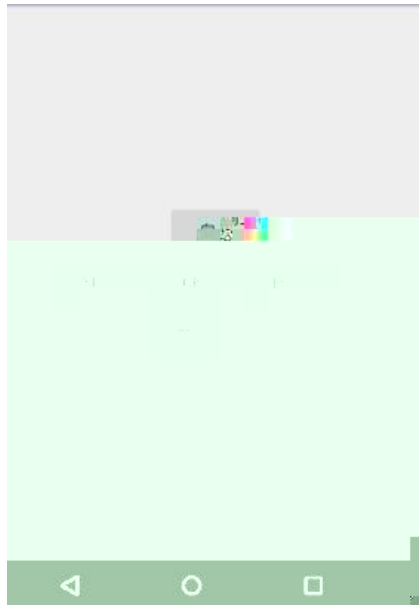


3

1

2

1



3

1

LED

2

1

2

3

TextView LED



3

1

LED

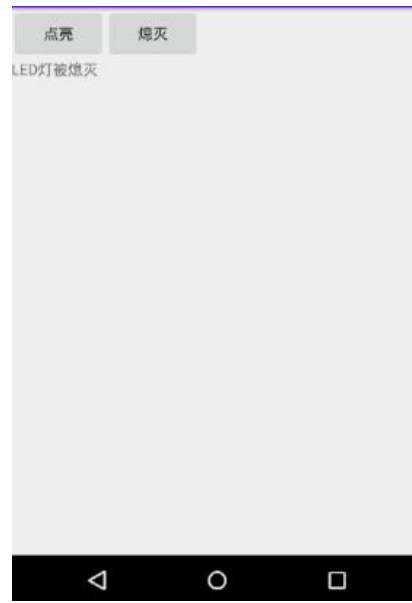
2

1

2

3

TextView LED



3

1

LED

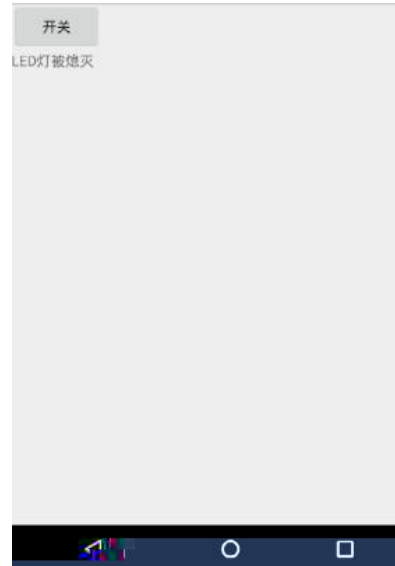
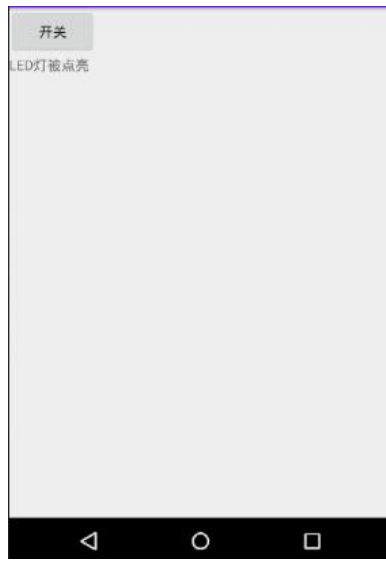
2

1

2

3

TextView LED



3



1

LED

2

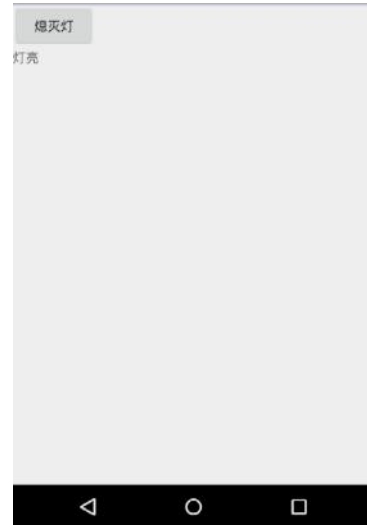
1

2

3

4

TextVi ew



3

1

LED

2

1

2

3

4

ImageView

30dp\*30dp



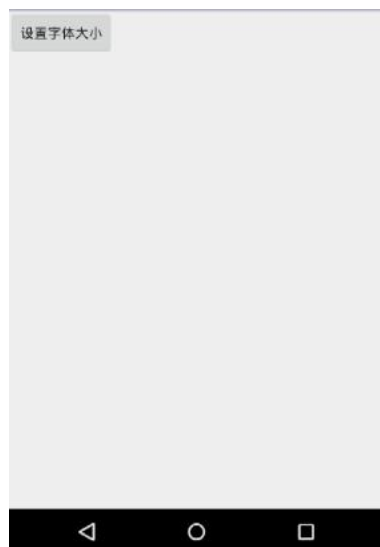
3

1

2

1

2



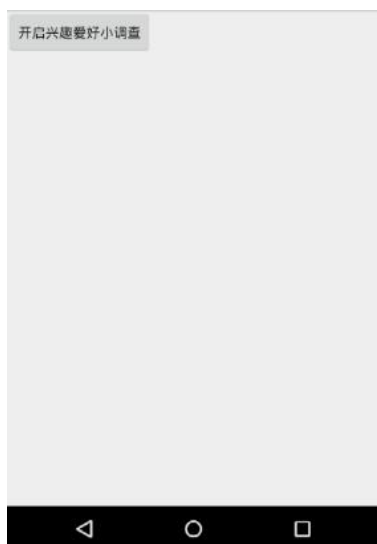
3

1

2

1

2



3